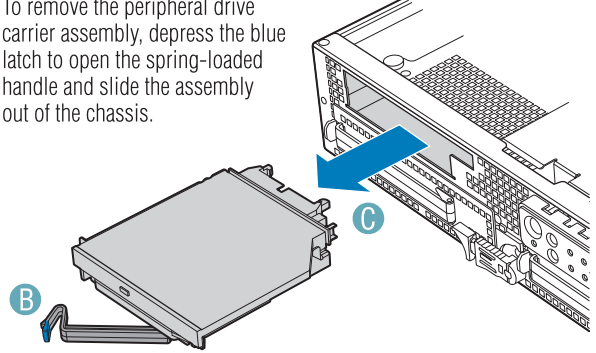


9 Replacing a Peripheral Drive

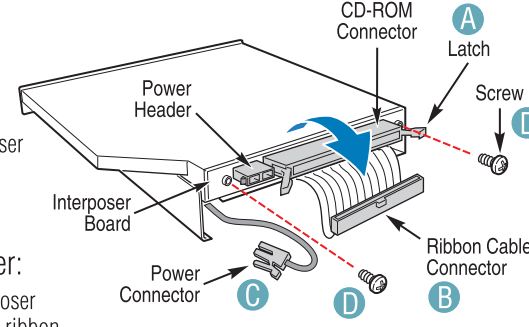
Remove the Peripheral Drive Carrier Assembly

- Shut down the system and disconnect AC/DC power cord(s).
- Remove the Bezel ... see Step 2 on Side 1.
- To remove the peripheral drive carrier assembly, depress the blue latch to open the spring-loaded handle and slide the assembly out of the chassis.



Disconnect Drive Cables and Remove Interposer Board

- Open two latches on CD-ROM connector.
- Disconnect the ribbon cable.
- Press tab on side of power connector and disconnect from interposer board.
- Remove two screws on interposer board and remove from carrier. (Use #1 Phillips* screwdriver)

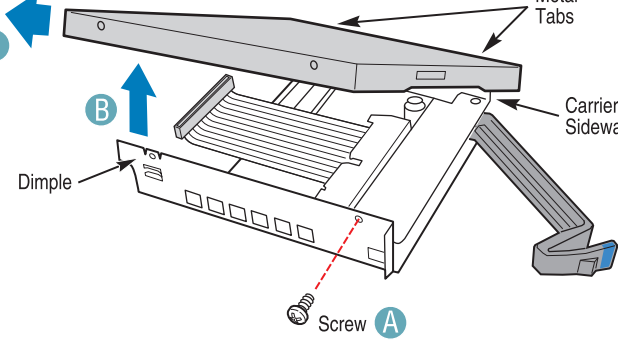


To Install Drive into Carrier:

Attach two screws to secure interposer board to CD-ROM drive. Connect ribbon cable to CD-ROM connector. Engage latches on CD-ROM connector to secure ribbon cable. Connect power cable to power header.

Remove the CD-ROM Drive from the Carrier

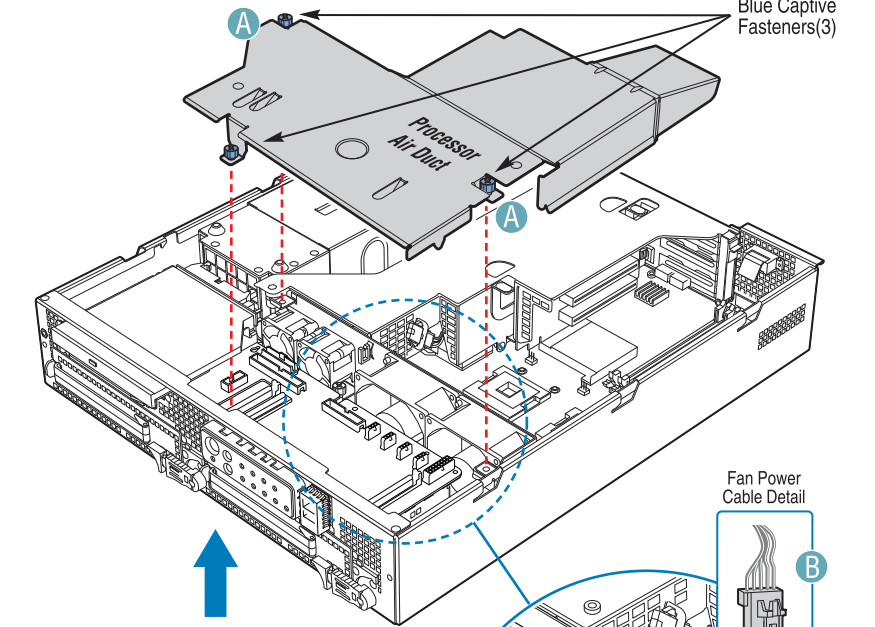
- Remove small screw securing CD-ROM drive to carrier using a #1 Phillips* screwdriver.
- Pull CD-ROM upward to release from dimple.
- Pull CD-ROM away from carrier sidewall to release from metal tabs.



To Install Drive into Carrier:

Slide CD-ROM drive into metal tabs on sidewall of carrier. Push CD-ROM drive downward into dimple. Attach screw to secure drive to the carrier.

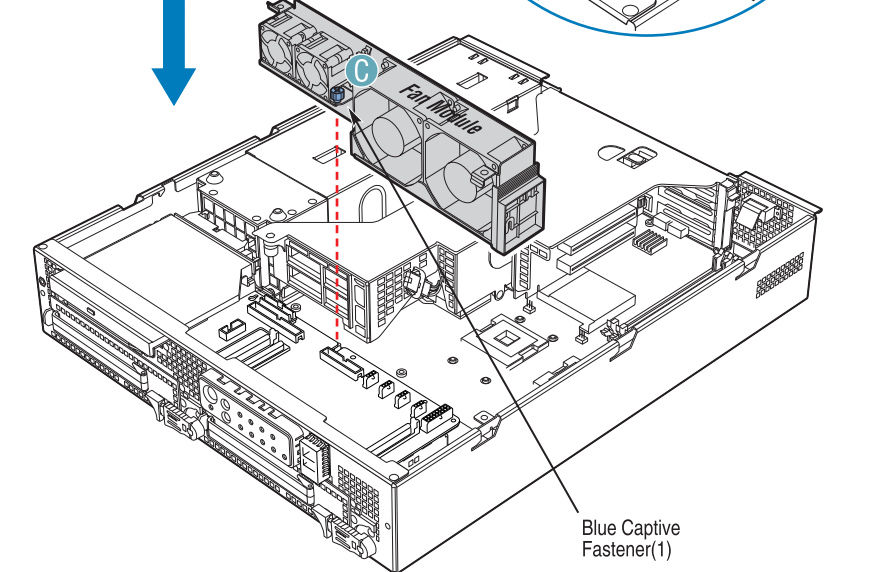
10 Replacing the Fan Array Assembly



- Remove Processor Air Duct**
Loosen three BLUE captive fasteners and lift straight up.

- Disconnect Four Fan Cables**
Squeeze the latch on each of the four fan cable connectors to disconnect from the front panel I/O board.

- Remove the Fan Module**
Loosen the single BLUE captive fastener and lift straight up.



Reference

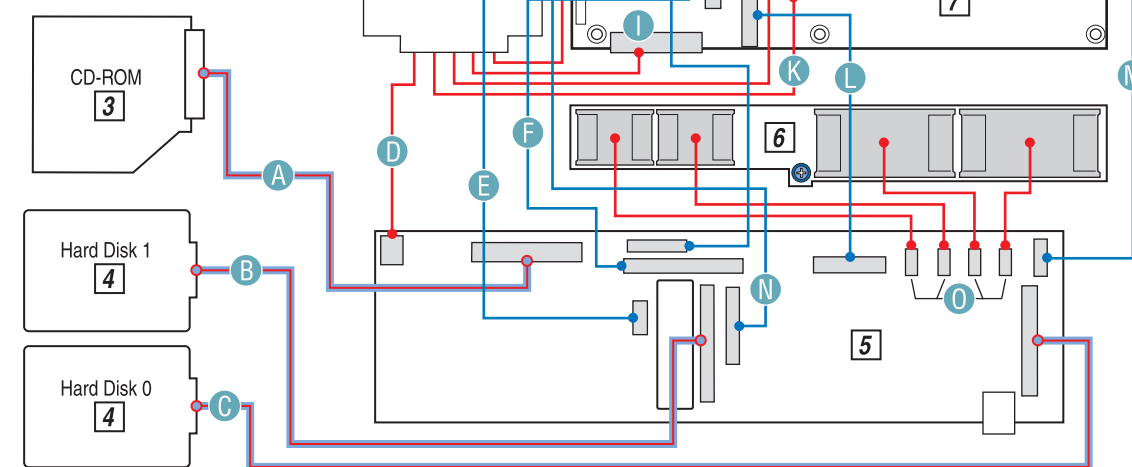
Server System Cabling Diagram

System Components

- Power Supply
- Power Distribution Module
- CD-ROM Module
- SCSI Hard Drive
- Front Panel I/O Board
- Fan Module
- Server Board

Cable Legend

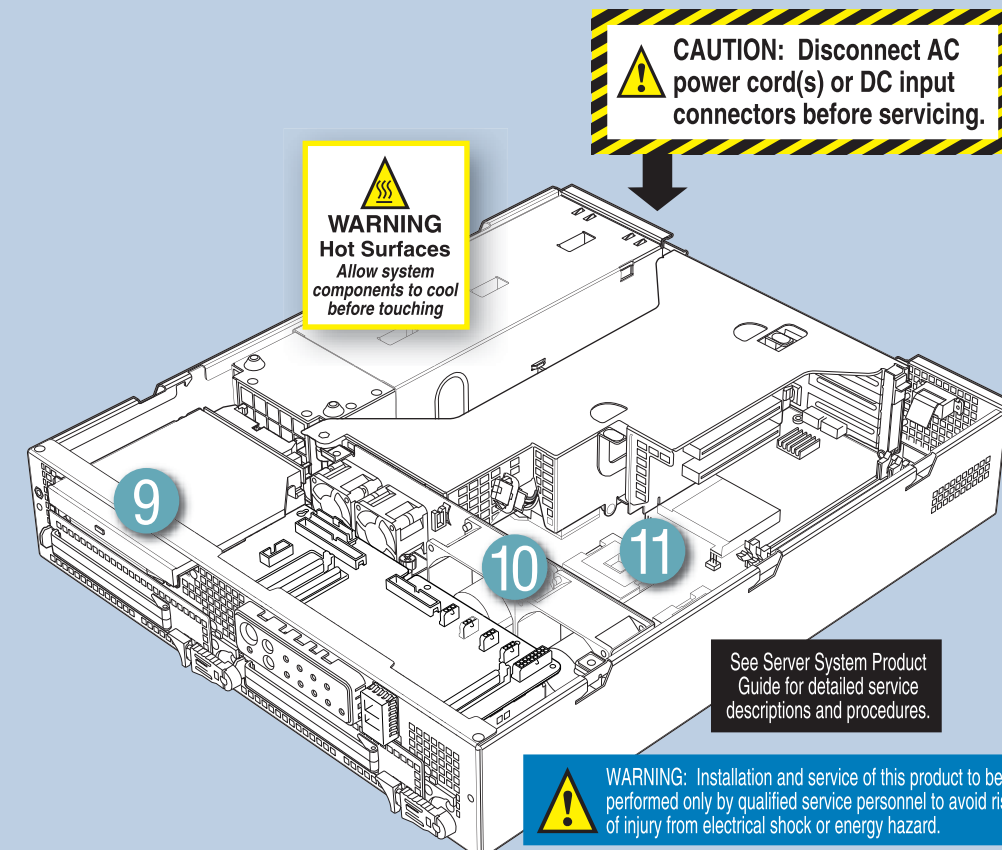
- BLUE indicates Data Cable
- RED indicates Power Cable
- RED/BLUE indicates Power and Data Cable



Connections

- Front Panel I/O to CD-ROM
- Front Panel I/O to HDD 1
- Front Panel I/O to HDD 0
- Power Supply to Front Panel I/O
- Front Panel USB
- IDE
- Auxiliary Power
- Front Panel
- Main Power
- Power to PCI Riser
- CPU Power
- Fan Module Monitor
- Telco Alarms - back panel
- SCSI A
- Individual Fan Power

CAUTIONS: See product documentation for detailed service instructions. Observe normal ESD precautions when installing components. See product documentation for detailed ESD procedures.



See Server System Product Guide for detailed service descriptions and procedures.

WARNING: Installation and service of this product to be performed only by qualified service personnel to avoid risk of injury from electrical shock or energy hazard.

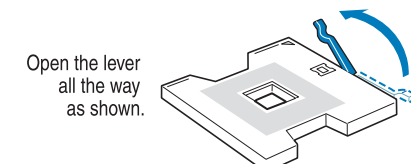
11 Servicing the Processor(s)

Installing Processor(s)

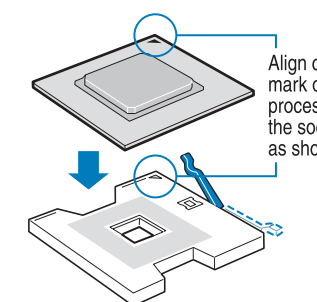
Notes and Cautions

- If only ONE processor is to be used, it must be installed in the Processor Socket 1.
- Do not mix processors of different types or frequencies.
- When unpacking a processor, hold by the edges only to avoid touching the pins.
- This server board has "zero-insertion force" sockets. If processor does not drop easily into socket holes, make sure lever is in the full-open position.

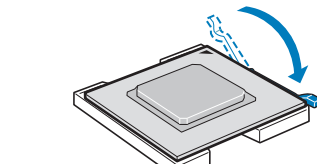
A. Open the Socket Lever



B. Install the Processor



C. Close the Socket Lever



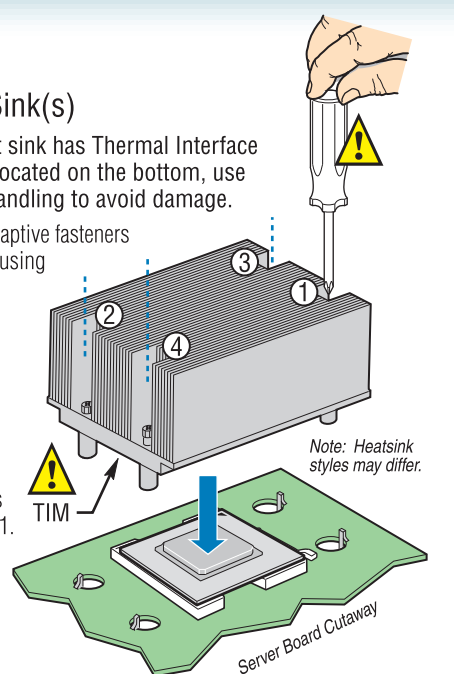
D. Install the Heat Sink(s)

CAUTION: Heat sink has Thermal Interface Material (TIM) located on the bottom, use caution when handling to avoid damage.

Each heat sink has four captive fasteners and should be tightened using the following procedure:

- Finger-tighten each fastener diagonally, according to the numbers shown.
- Securely re-tighten each fastener again in the same order as performed in step D1.

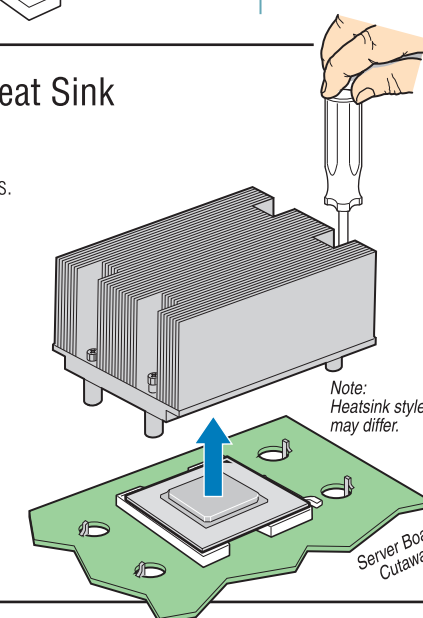
CAUTION: Do not over-tighten fasteners.



Removing a Heat Sink

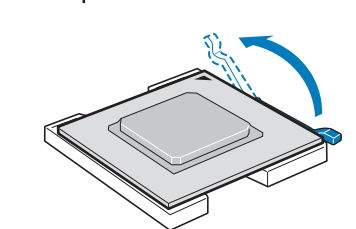
Each heat sink has four captive fasteners. Fully loosen each fastener and lift heat sink straight up.

CAUTION: Use care to avoid sharp edges on heat sink.



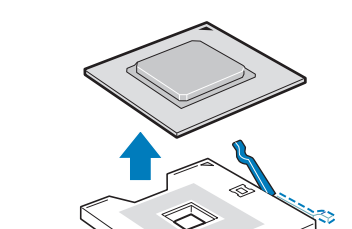
Removing a Processor

Open the Socket Lever



CAUTION: Observe normal ESD procedures when handling processor(s).

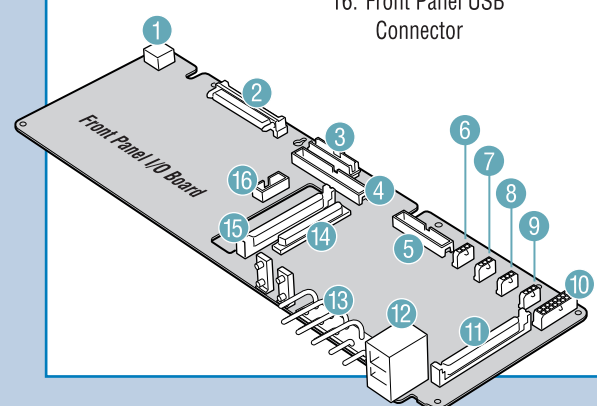
Remove the Processor



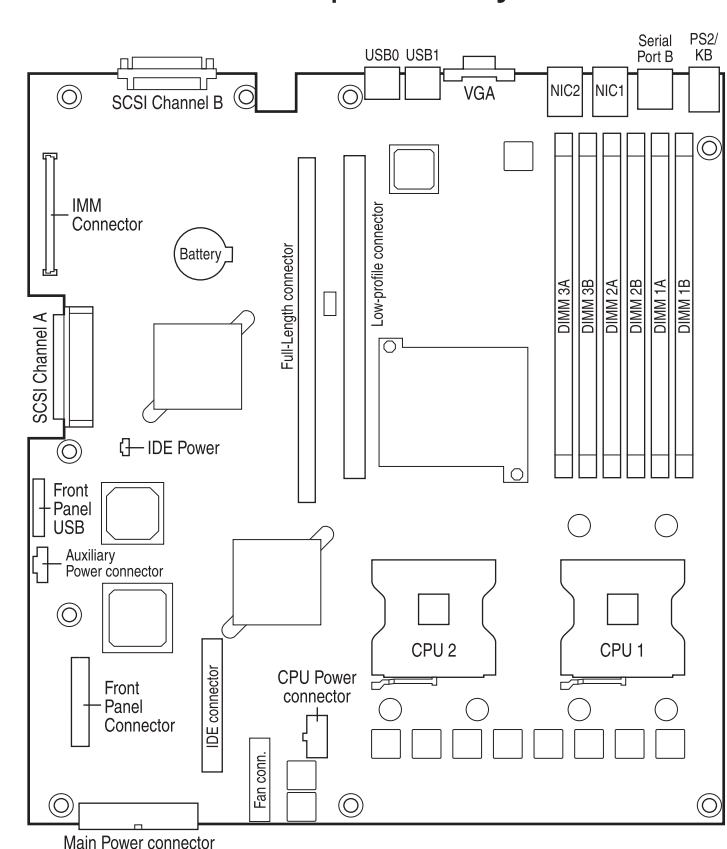
CAUTION: If processor does not easily lift upward, make sure socket lever is in the fully OPEN position.

Front Panel I/O Board Connector/Component Layout

- Power Supply Connector IN
- CD-ROM Module Connector
- Front Panel Connector
- IDE Connector IN
- System Fan Control Connector
- System Fan 4 Connector OUT
- System Fan 3 Connector OUT
- System Fan 2 Connector OUT
- System Fan 1 Connector OUT
- Telco Alarms Connector OUT
- 80-pin SCA SCSI Connector OUT
- RJ45 COM2 w/single USB Port
- Light Pipe Module
- 68-pin SCSI Connector
- 80-pin SCA SCSI Connector OUT
- Front Panel USB Connector



Server Board Component Layout



Accessories and Order Codes

Power supply, 600W DC, qty 1	TLIDCP5U03
Power supply, 600W AC, qty 1	TLIACPSU03
Heatsink, for processor, qty 1	TLISNKLP03
Rack mount kit, 19inch 2 post rack - "L" bracket - 1U & 2U	TMLCMOUNT21
Rack mount kit, 19inch 2 & 4 post rack, stop feature, universal EIA - 1U & 2U	TMLPMOUNT51
Rack mount kit, 23inch 2 & 4 post rack, stop feature, universal EIA/ETSI - 1U & 2U	TMLPMOUNT52
Rack mount slide rail, 19inch 4 post, (Accuride Slide Rail #305-A-LR)	TMLPSLIDE01
Air filter, front bezel mount	TLPAIRFLT02

A complete list of accessories and spares can be found at: www.intel.com/go/serverbuilder