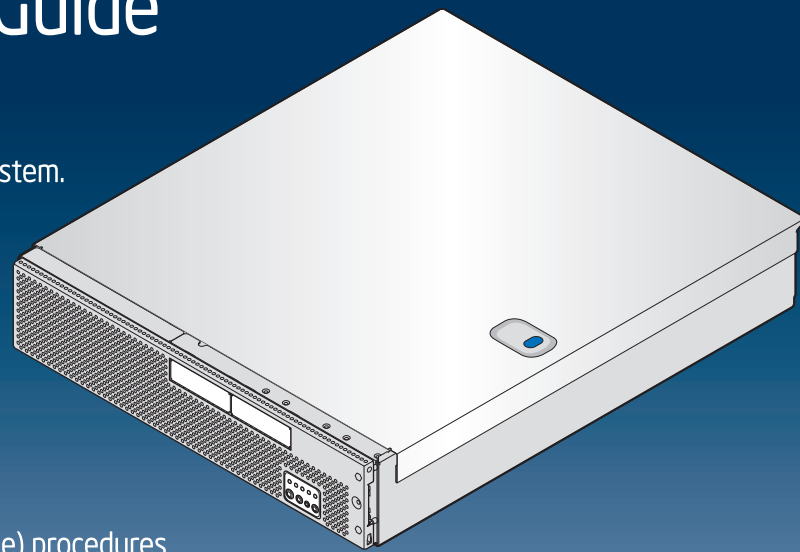


Kontron IP Network Server NSC2U Hardware Reference Guide

Thank you for buying a Kontron IP Network Server System. The following information will help you set up and install your Kontron IP Network Server NSC2U and service components.



This guide and other supporting documents are located on the web at <http://us.kontron.com/support>

If you are not familiar with ESD (Electrostatic Discharge) procedures used during system integration, please see the Kontron IP Network Server NSC2U Product Guide, available on the CD or at <http://us.kontron.com/support>

Read all cautions and warnings first before starting your server platform integration.



Minimum Hardware Requirements

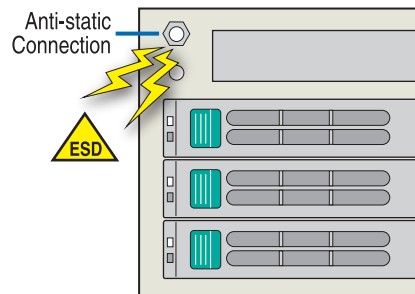
To avoid integration difficulties and possible board damage, your system must meet the following minimum requirements:

- Processor: Quad-core or Dual-core processor from the Intel® Xeon® processor 5000 sequence with compatible heat sink.
- Memory: Minimum of one 512MB, 240-pin DDR2 533/667 MHz FB DIMM.
- For power requirements, see the Kontron IP Network Server NSC2U Technical Product Specification.

1 Attaching Your Ground Strap

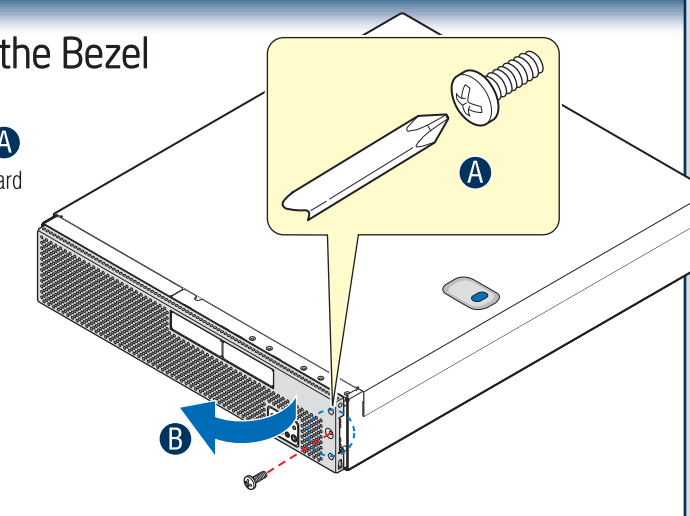
You must remove the bezel to access the ground strap attachment point. If the bezel is installed, see Step 2 at right.

Attach ground strap to anti-static connection point.



2 Removing the Bezel

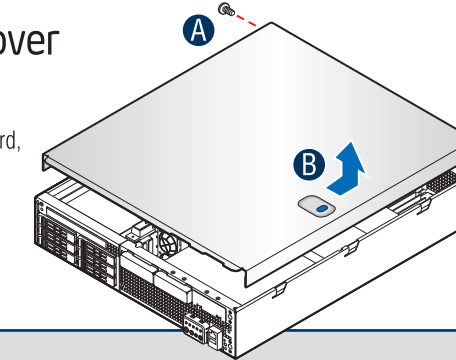
- Remove the screw to release the bezel. **A**
- Rotate the bezel outward as shown and remove. **B**



3 Removing the Top Cover

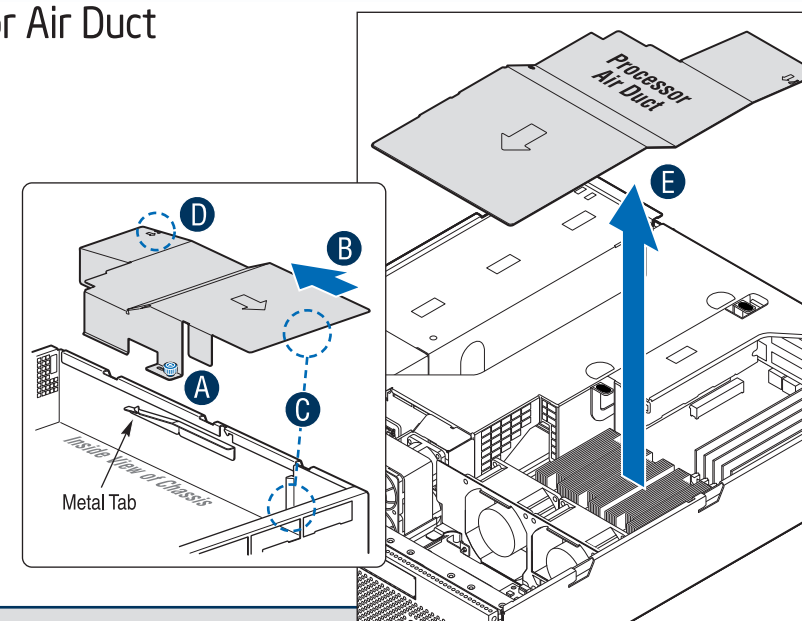
- Remove the shipping screw. **A**
- Push **BLUE** locking button, slide cover rearward, then lift up and remove. **B**

CAUTION: This unit must be operated with the top cover installed to ensure proper cooling.



4 Removing the Processor Air Duct

- Loosen the **BLUE** captive fastener. **A**
 - Slide the duct rearward until it stops. **B**
- The front edge will disengage from the front panel. **C**
- The metal tab at the rear will release. **D**
 - Lift the duct straight up and remove. **E**



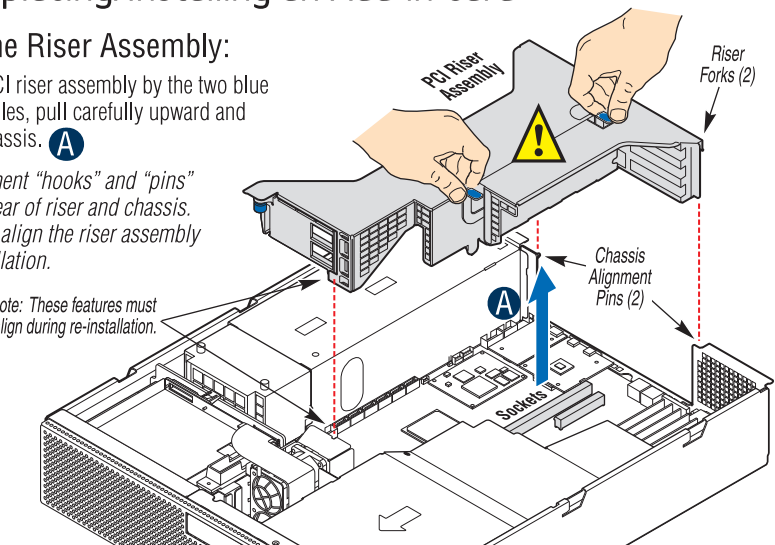
5 Replacing/Installing an Add-in Card

Remove the Riser Assembly:

- Grasp the PCI riser assembly by the two blue flexible handles, pull carefully upward and lift out of chassis. **A**

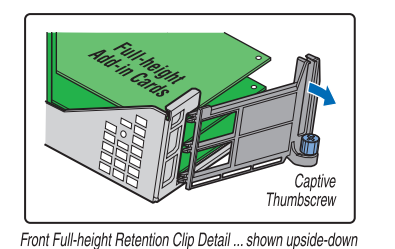
Note the alignment "hooks" and "pins" located at the rear of riser and chassis. These will help align the riser assembly during re-installation.

CAUTION: Place PCI riser assembly upside-down during installation or removal of add-in cards.



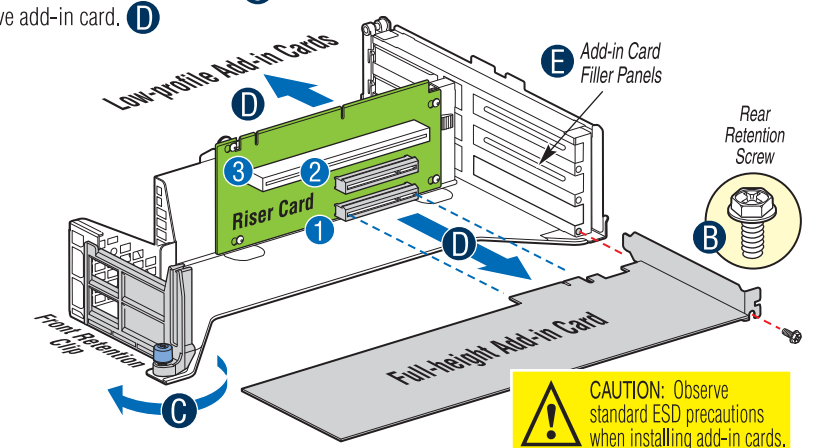
Remove Add-in Cards:

- Remove the rear retention screw securing the bracket of the add-in card to be removed. **B**
- For a full-height card, remove front add-in card retention clip by loosening the blue captive thumbscrew, rotating device outward slightly, then disengaging the three plastic tabs from the metal sidewall. For a low-profile card, skip this step and proceed to step 4. **C**
- Remove add-in card. **D**



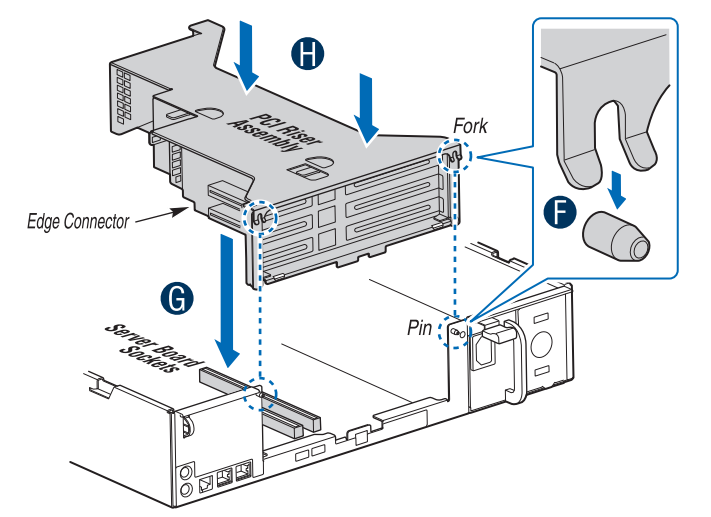
Install Add-in Card:

- If the add-in card slot was empty, push out the add-in card filler panel, then reverse the previous steps to complete installation of an add-in card. **E**



Install PCI Riser Assembly

- Ensure that the forks at rear of PCI riser assembly engage matching pins on chassis back panel. **F**
- Position riser card edge connectors over the server board riser sockets. **G**
- Press down uniformly until the two hooks and two pins engage. The riser cards will seat into the matching sockets on the server board. **H**



Warning

Read all caution and safety statements in this document before performing any of the instructions. Also see the *Kontron Server Board and Server Chassis Safety Information* document at: <http://us.kontron.com/support> for complete safety information.

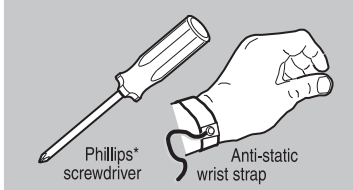
Warning

Installation and service of this product should only be performed by qualified service personnel to avoid risk of injury from electrical shock or energy hazard.

Caution

Observe standard ESD (Electrostatic Discharge) procedures during system integration to avoid possible damage to server boards and/or other components.

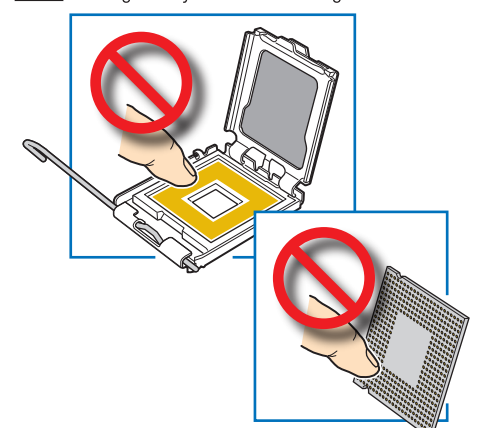
Tools Required



6 Installing the Processor(s)

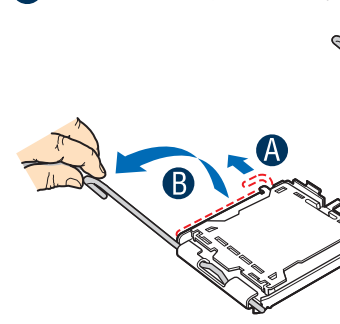
Note: If you are only using one processor on your server board, use the socket labeled "CPU1" in the Reference Diagram.

CAUTION: When unpacking a processor, hold by the edges only to avoid touching the contacts.



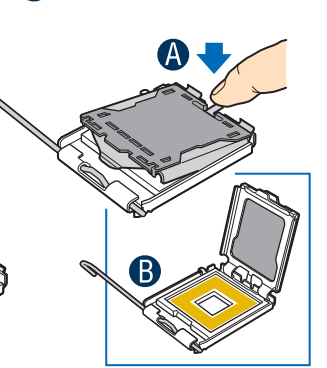
Open the Socket Lever

- Push the lever handle down and away from the socket to release it. **A**
- Pull the lever and open all the way. **B**



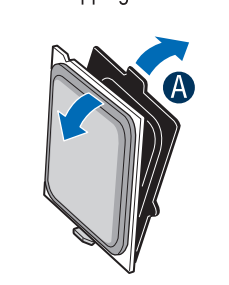
Open the Load Plate

- Push the rear tab with your finger tip to bring the front end of the load plate up slightly. **A**
- Open the load plate as shown. **B**



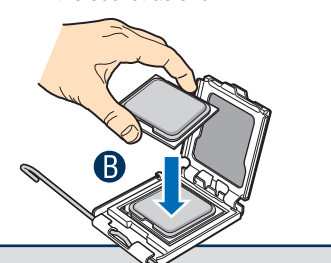
Remove the Processor Protective Cover

- Take the processor out of the box and remove the protective shipping cover. **A**



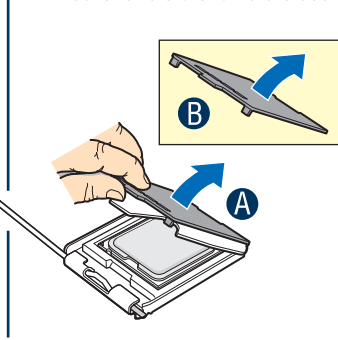
Install the Processor

- Orient the processor so that its cutouts match the socket's notches. **A**
- Gently place the processor on the socket as shown. **B**



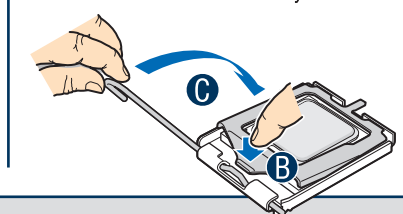
Remove Socket Protective Cover

- Grasp the socket protective cover tab and pull away from the load plate as shown. **A**
- Remove the socket protective cover and store for future use. **B**



Close Load Plate and Socket Lever

- Close the load plate all the way as shown. **A**
- With your finger, push down on the load plate as shown. **B**
- Close the socket lever and ensure that the load plate tab engages under the socket lever when fully closed. **C**



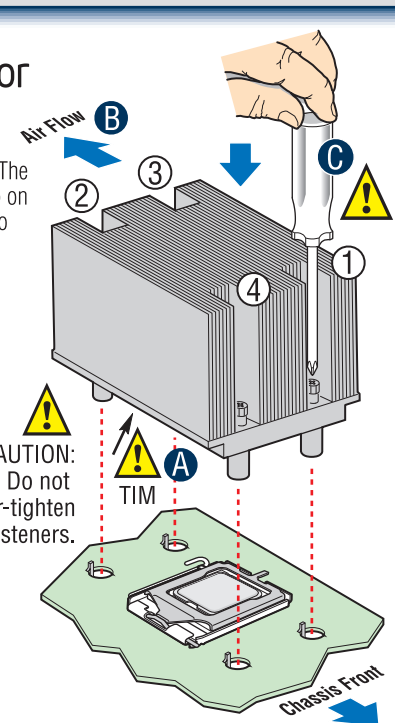
7 Installing the Processor Heat Sink(s)

CAUTION: Use gloves to avoid sharp edges. The heat sink has thermal interface material (TIM) on the underside of it. Use caution so that you do not damage the thermal interface material.

- If this is a new heat sink, remove the protective film on the TIM if present. **A**
- Align heat sink fins to the front and back of the chassis for correct airflow. Airflow goes from front-to-back of chassis. **B**

- Using a #2 Phillips® screwdriver, loosely tighten the fasteners in the order shown in the figure; fastener #1, then the one diagonally across from it, and so on. **C**
- Securely re-tighten each fastener again in the same order as performed in Step 3. **C**

Note: Heat sink styles may vary.



8 Installing Memory

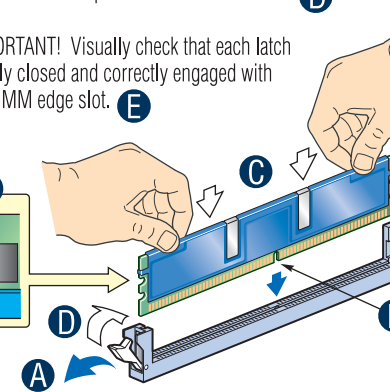
Note: For memory installation, only use qualified DIMMs that are approved by Intel. For additional memory configuration information, see the Server Board TPS or the NSC2U Product Guide on the resource CD or at <http://us.kontron.com/support>

For a list of supported memory components, see the S5000PAL Tested Memory List also at this location.

CAUTION: Observe standard ESD precautions when installing DIMMs.

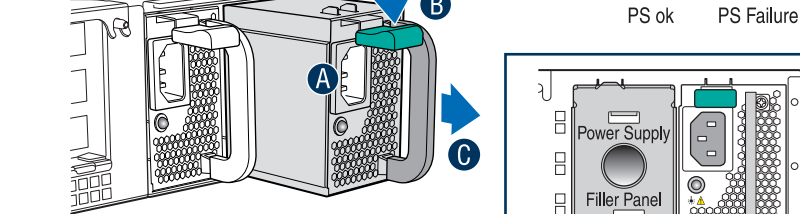
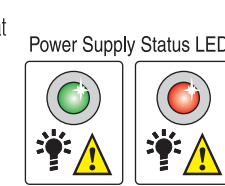
To Install DIMMs:

- Open both DIMM socket levers. **A**
- Note location of alignment notch. **B**
- Insert DIMM making sure the connector edge of the DIMM aligns correctly with the slot. **C**
- Using both hands, press down evenly and firmly on both sides of the DIMM until it snaps into place and the levers close. **D**



9 Replacing a Power Supply Module

IMPORTANT NOTES: To maintain hot-swap capability, make sure that an active power supply module is in BOTH chassis slots before replacing (hot-swapping) a power supply module. Check the status LED to determine which PS module has failed ... (see detail at right).



- Disconnect appropriate power cord. **A**
- Press **green** safety lock downward and hold. **B**
- Grasp handle and pull module out. **C**
- To insert a new power supply, press and hold the **green** safety lock downward and slide the power supply module into the chassis slot. **C**

CAUTION: If only one module is installed, it must be in the right-side slot and a power supply filler panel must be installed in the left slot to ensure proper system cooling.

D84721-004

