



Intel Rail Enabling Kit for Kontron Communications Rackmount Servers TMLREK01

This kit provides a method for enabling the use of the Intel rail kits AXXBASRAIL13 and AXXHERAIL2 with a Kontron Communications Rackmount Server. Please consult the Intel kit instructions where indicated.

Resources

- *Basic Rail Kit Install Guide for Intel Server Chassis* for the basic rail kit AXXBASRAIL13 is included in the kit or as of June 2009 can be found online on Intel's website.
- *Rail Kit Installation* sheet for the rail kit AXXHERAIL2 is included in the kit only.

Tools and supplies needed

- 3/8-inch hex driver or wrench
- #2 Phillips screwdriver

Contents of the kit

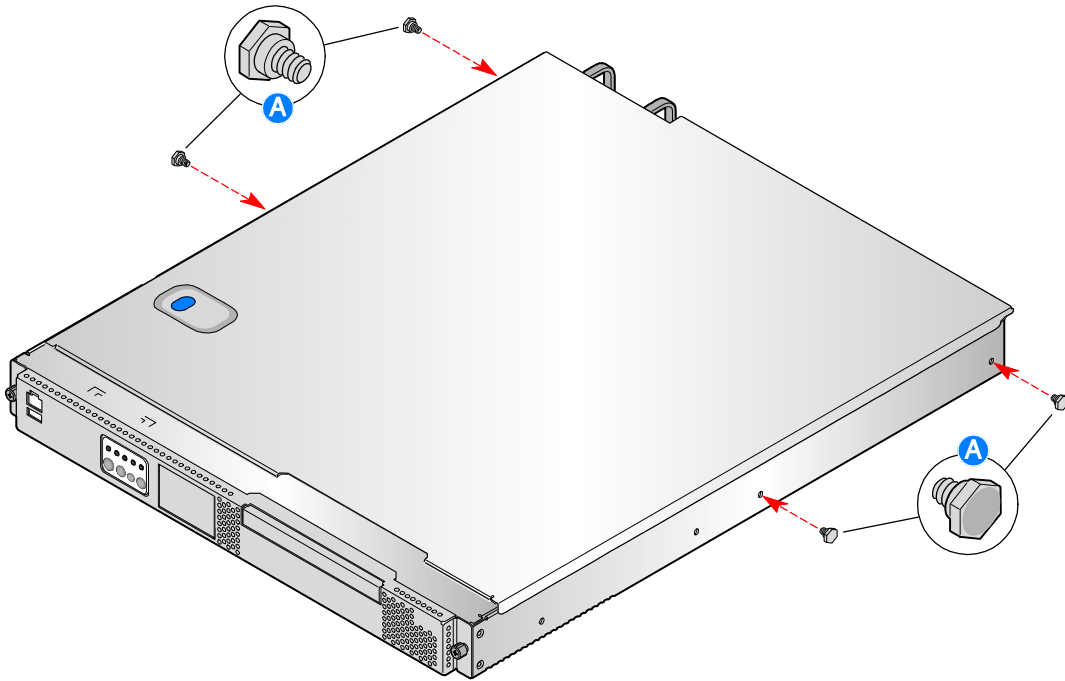
This package contains 10 TMLREK01 kits in an overpack (10 kits per box). Each kit contains:

- Four hex head shoulder screws
- Two #10-32 x 3/8" screws
- Two rack mounting ears

Note: The installation instructions apply to both 1U and 2U servers.

Instructions for mounting the server using the Intel basic rail kit AXXBASRAIL13

1. **Remove the Inner Rails and Install Outer Rails to Rack:** Following Intel's *Install Guide*, remove the inner rails from the rail assembly and install the outer rail slides to the rack posts.
2. **Install Shoulder Screws:** Install two hex head shoulder screws supplied in the Kontron kit on each side of the server.



TS000491

Figure 1. Install shoulder screws

***Note:** Some Kontron communications rackmount servers share the same sheet metal chassis for multiple length products. On these products, there are 2 sets of holes for attaching the inner rail.

For 20 inch servers with a single set of rail kit attachment holes, install the shoulder screws into the holes indicated.

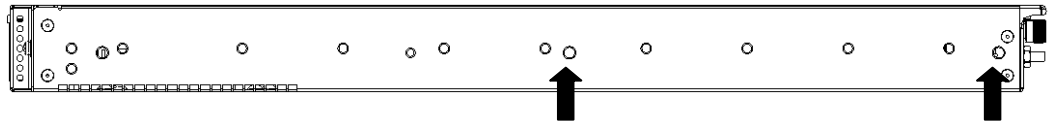


Figure 2. Server with single set of rail attach holes, 20 inch

For 24 inch servers with multiple sets of rail kit attachment holes, install the shoulder screws into the holes marked as "AA".

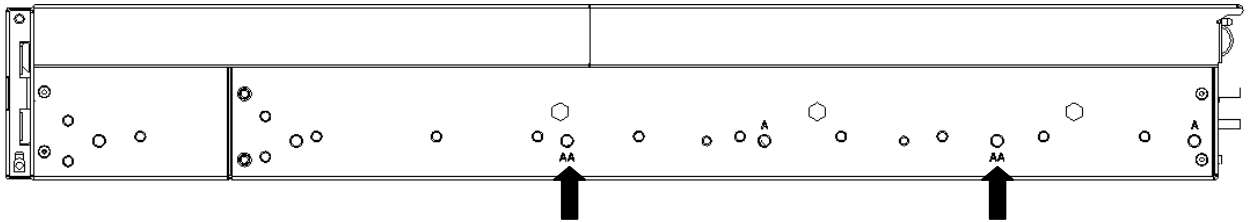


Figure 3. Server with multiple sets of rail attach holes, 24 inch

For 20 inch servers with multiple sets of rail kit attachment holes, install the shoulder screws into the holes marked as "A".

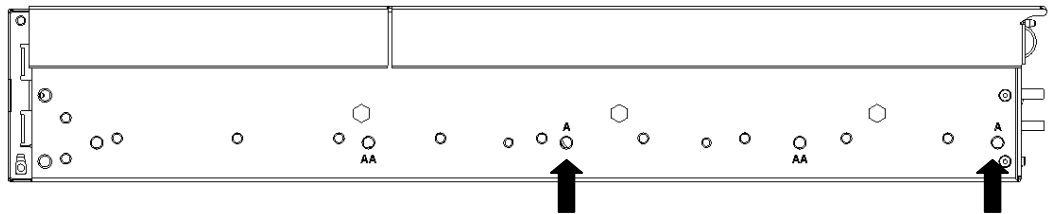
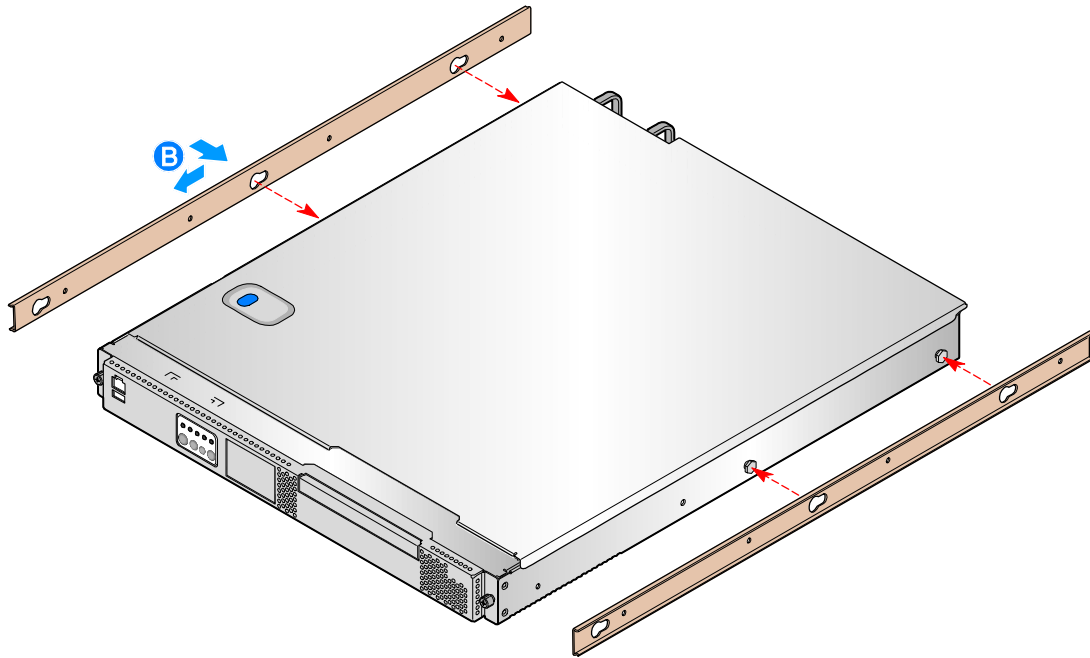


Figure 4. Server with multiple sets of rail attach holes, 20 inch

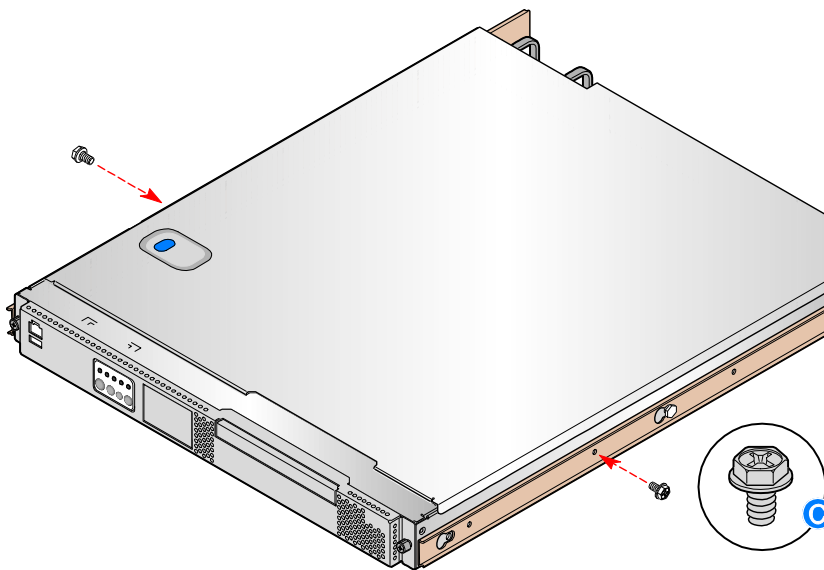
- 3. Attach Inner Rails to Server:** Install the inner rails onto the hex head shoulder screws and slide the inner rails forward.



TS000492

Figure 5. Install rails to server

- 4. Install screws to secure inner rails:** Secure the inner rails with the screws indicated in Intel's *Install Guide*.



TS000493

Figure 6. Secure rails to server

5. **Attach Rack Mounting Ears:** Attach the rack mounting ears to each side of the server using the #10-32 x 3/8 screws provided in the Kontron kit.

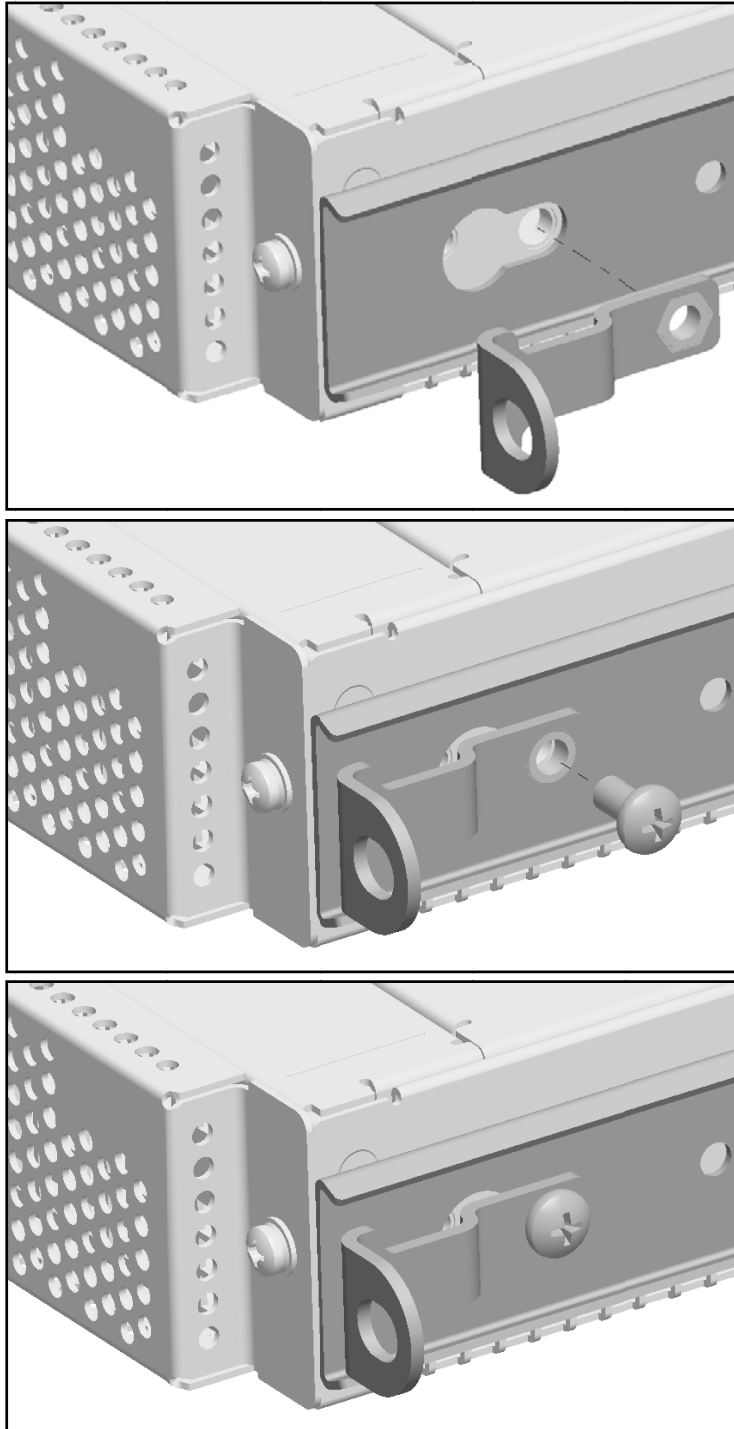


Figure 7. Attach rack mounting ears

6. **Install the Server into the Rack:** Install the server into the rack and secure it with the screws indicated in Intel's *Install Guide*.

Instructions for mounting the server using the Intel rail kit AXXHERAIL2

1. **Install Slide Rails in Rack:** Following the instruction sheet included with the Intel rail kit, install the slide rails in the rack.
2. **Install Shoulder Screws:** Install two hex head shoulder screws supplied in the Kontron kit on each side of the server.

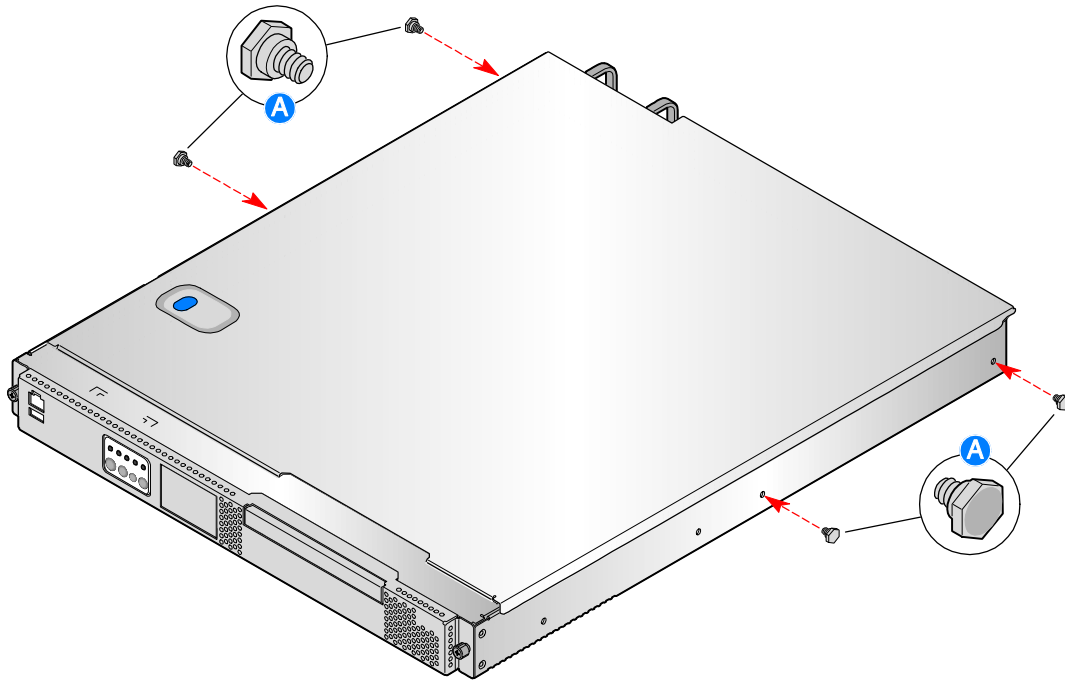


Figure 8. Install shoulder screws

TS000491

***Note:** Some Kontron communications servers share the same sheet metal chassis for multiple length products. On these products, there are 2 sets of holes for attaching the inner rail.

For 20 inch servers with a single set of rail kit attachment holes, install the shoulder screws into the holes indicated.

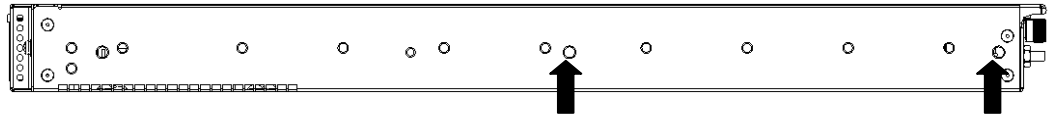


Figure 9. Server with single set of rail attach holes, 20 inch

For 24" servers with multiple sets of rail kit attachment holes, install the shoulder screws into the holes marked as "AA".

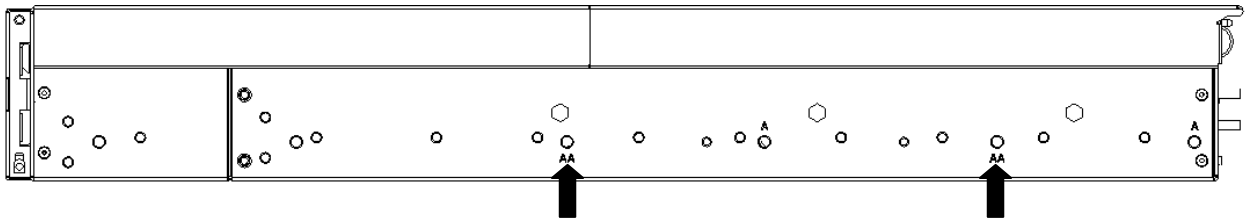


Figure 10. Server with multiple sets of rail attach holes, 24 inch

For 20" servers with multiple sets of rail kit attachment holes, install the shoulder screws into the holes marked as "A".

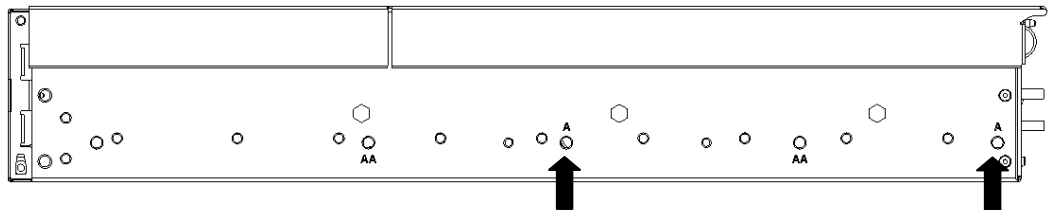


Figure 11. Server with multiple sets of rail attach holes, 20 inch

3. **Install Server to Slide Rails:** Following Intel's *Rail Kit Installation* sheet, fully extend both slide rails, align the four hex head shoulder screws with the mating features on the rails, and install the server into the slide rails.
4. **Rotate spring lock:** Rotate the spring lock down and hold it in this rotated position.

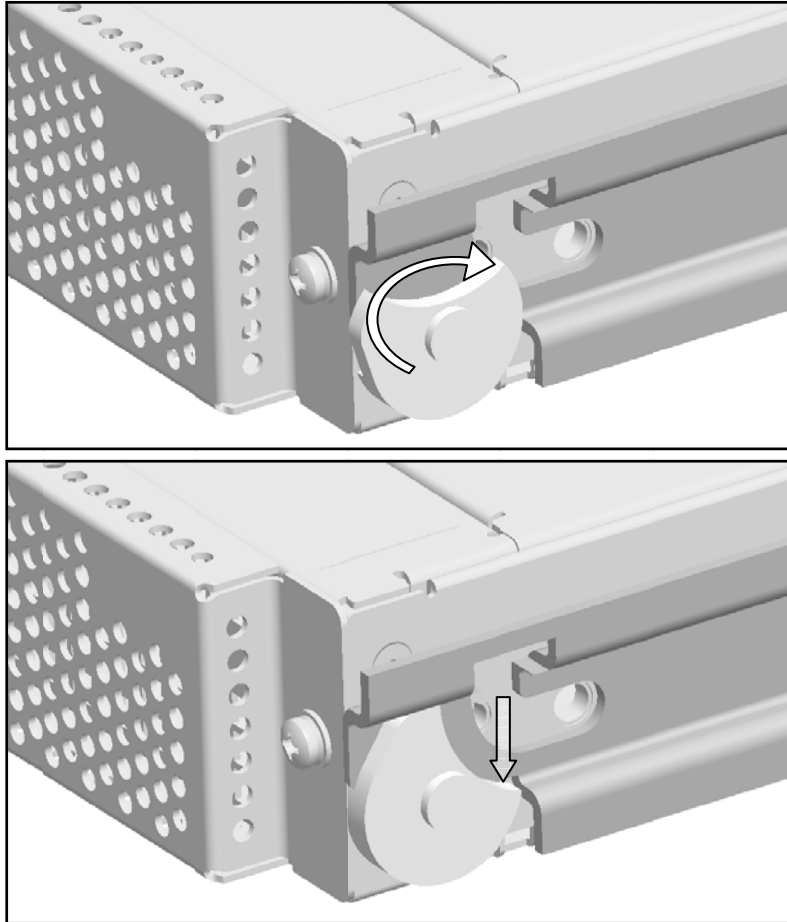


Figure 12. Rotate spring lock

5. **Attach Rack Mounting Ears:** While holding the spring lock in its rotated position, attach the rack mounting ears to the side of the server using the #10-32 x 3/8 screws provided in the Kontron kit.

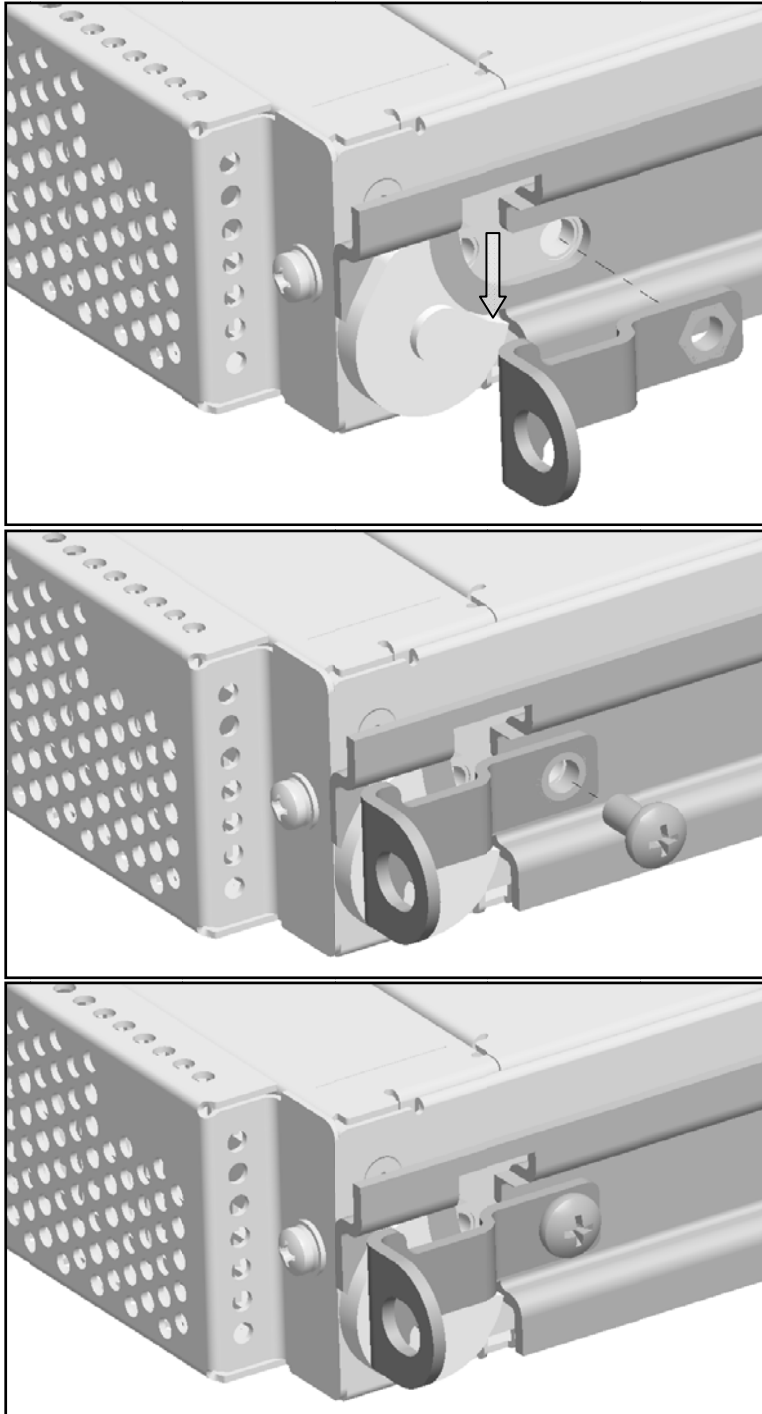


Figure 13. Attach rack mounting ears

6. **Install and Secure Server to Rack:** Using Intel's *Slide Rail Kit Installation* sheet, slide the server chassis into the rack and secure it using the two screws indicated in the Intel rail kit.