
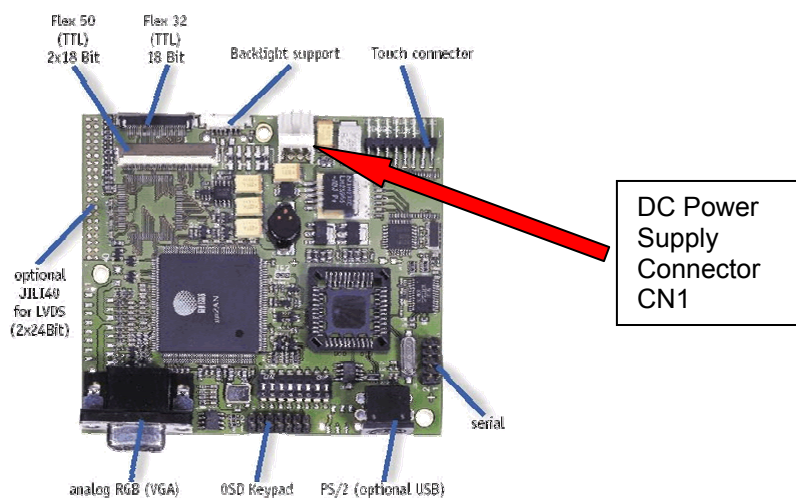


What must be considered when connecting DC Power supply to CRTtoLCD-1-TC/LC ?

| | | | |
|--------------|---|------------|--------------------------|
| 1.4.7 | DC power supply CN1 | | |
| | Apply operating voltage using connector CN1. | | |
| | 4 Contact Connector, Single Row, Right Angle, Polarization, through hole | | |
| | | Pin | Name |
| CN1 |  *1) | 1 | +5V Out |
| | | 2 | GND |
| | | 3 | GND |
| | | 4 | +12V In |
| | | | Description |
| | | | +5 V DC Power Out |
| | | | Power Ground |
| | | | Power Ground |
| | | | +12 V DC Power In |

***1)NOTE:**

*Don't connect any floppy-connectors from AT/ATX power supplies here!
You **MUST** cut off the 5V power cord, before you plug in! Otherwise the CRTtoLCD-1-LC/TC will be destroyed!*



Please note:

In this document Kontron Hamburg GmbH & Co.KG will also be referred to by the short form "Kontron Hamburg".
The information in this document has been carefully checked and is believed to be accurate and reliable. However, no responsibility is assumed for inaccuracies.
Furthermore, Kontron Hamburg reserves the right to make changes to any portion of this manual to improve reliability, function or design. Kontron Hamburg does not assume any liability for any product or circuit described herein.

Copyright 2005 by Kontron Hamburg GmbH & Co.KG.