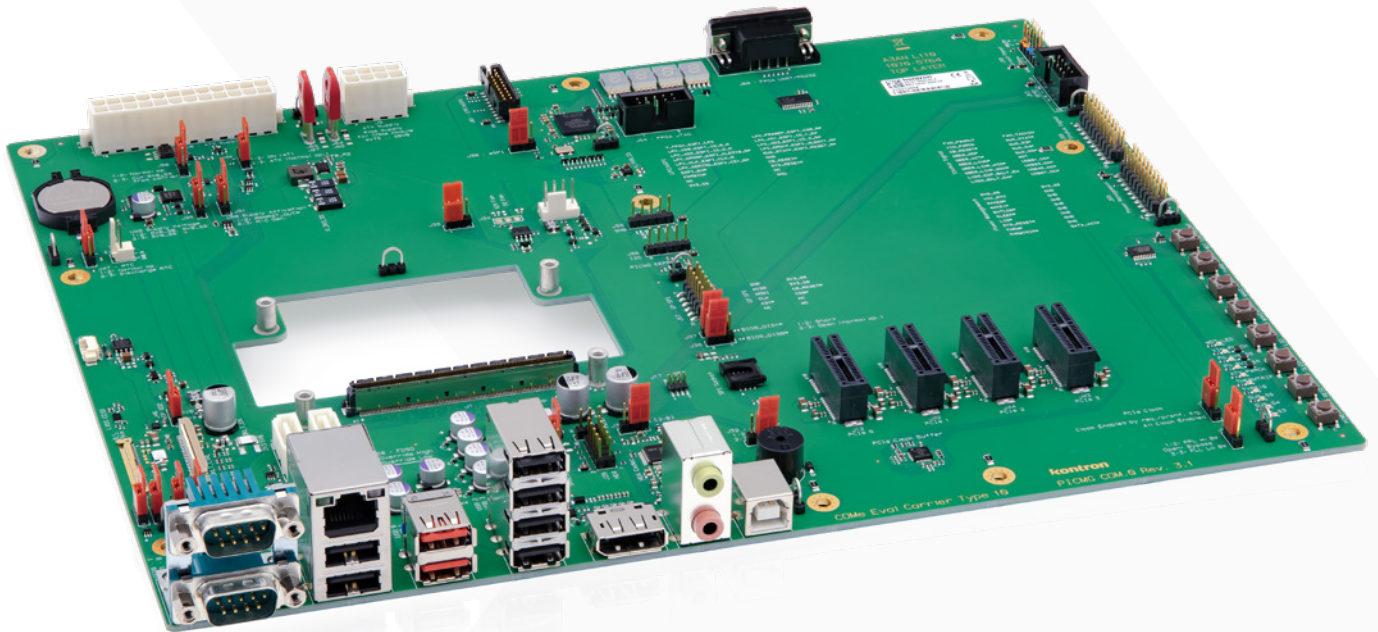


COMe Eval Carrier3 T10



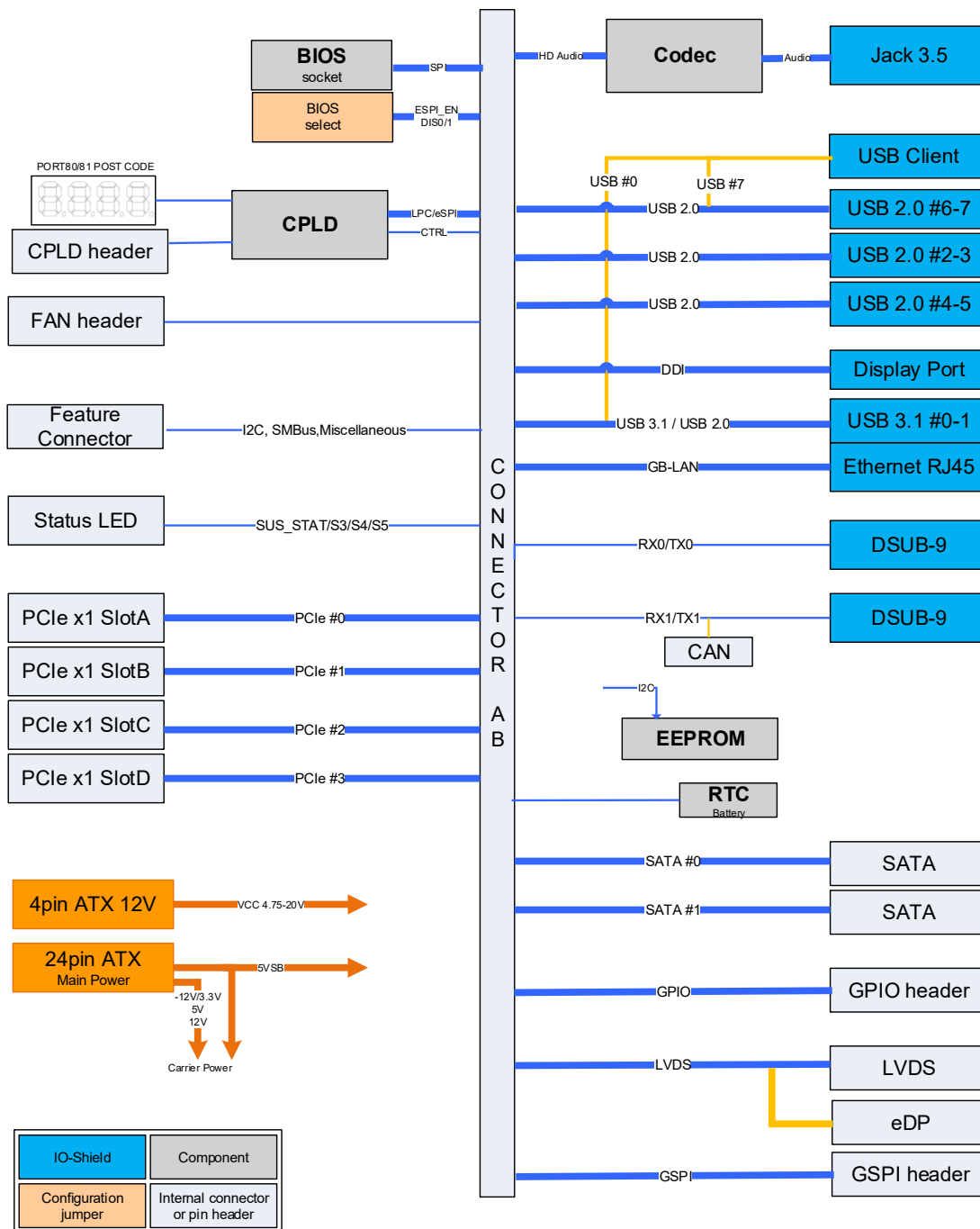
COM Express® Evaluation Carrier Type 10 Gen3

- COM Express® Rev. 3.1, Pin-out Type 10
- ATX Form Factor (305mm x 244mm)
- 4x PCIe x1, 1x GbE
- 2x USB 3.1, 6x USB 2.0, (alternatively 1x USB Client)
- 1x DisplayPort, 1x LVDS (alternatively eDP)
- Full support for Type 10 featureset

COMPLIANCE	COM Express® Rev. 3.1, Pin-out Type 10
DIMENSIONS	305 mm x 244 mm (ATX)
PCI EXPRESS	4x PCI Express x1, onboard connector
SATA	2x SATA, onboard connector
GRAPHICS	1x DisplayPort, front panel 1x LVDS (alternatively 1x eDP), onboard connector
ETHERNET	1x RJ45, front panel
USB	2x USB 3.1/2.0, front panel 6x USB 2.0 (alternatively 1x USB Client of USB 2.0 #0 or #7), front panel
SERIAL	2x DSUB-9, front panel (alternatively 1x CAN, onboard connector)
AUDIO	HD Audio Audio Jack 2 ports, front panel
FAN	4 pin header connector for 4 pol Fan (via jumper selection for 3 pol Fan)
BIOS	SPI Flash Socket WSON8
VARIOUS	Header connector for various status signals Various header connector for I2C, SMBus, GSPI, GPIO, HDS, LPC/eSPI RTC battery holder 4 digit Port 80/81 POST code display with POST code control Status LEDs for SUS_S3, SUS_S4, SUS_S5, THERMTRIP, TYPE10 Buttons for PWRBTN, SYS_RESET, LID, SLEEP, WAKE0, WAKE1, THRM
POWER SUPPLY	ATX, 24 + 8 pin connector

Ordering Information

PART NUMBER	CARRIER	DESCRIPTION
34101-0000-00-3	COMe Eval Carrier 3 T10	COM Express® Eval Carrier 3 Type 10 with 8 mm COMe connector



Global Headquarters

Kontron Europe GmbH

Gutenbergstraße 2
 85737 Ismaning, Germany
 Tel.: + 49 821 4086-0
 info@kontron.com

www.kontron.com